

### THIS PACKAGE CONTAINS:

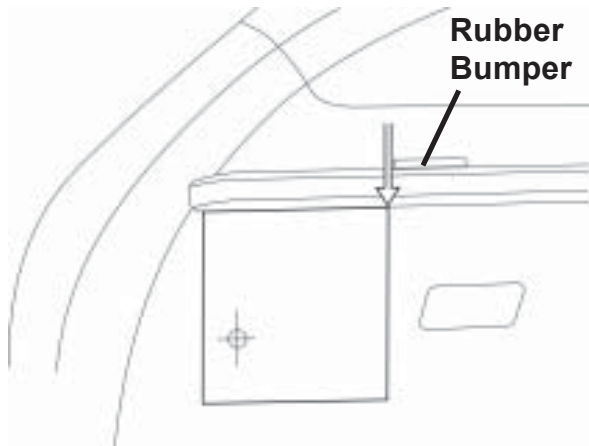
- (1) Envelope Net
- (2) D-Rings (2)
- (3) Installation Instructions

### TOOLS REQUIRED:

- Power Drill
- 5/16" Drill bit
- Center Punch
- Tape

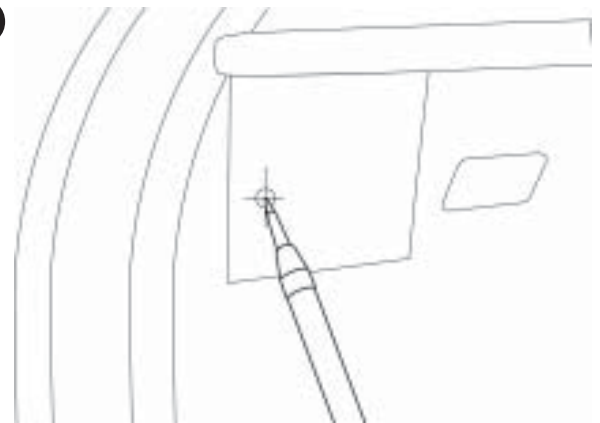
### INSTALLATION INSTRUCTIONS:

1



- Using this rubber bumper as a guide, align the template with the bottom of the ledge as shown.

2



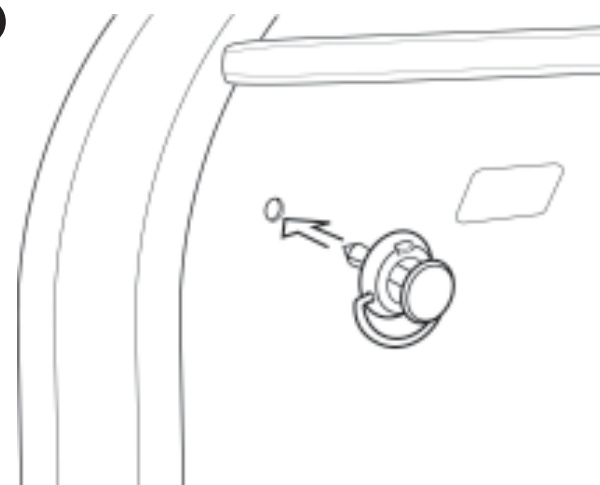
- Tape or hold template in place and mark with center punch as shown. Repeat for the passenger side.

3



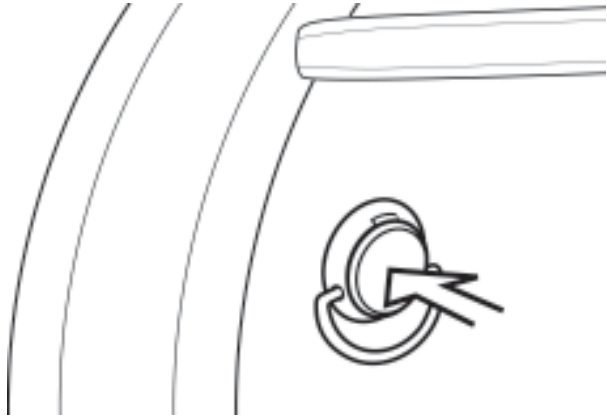
- Drill a 5/16" diameter hole at marked location. Repeat for the passenger side.
- NOTE: Remove shavings.

4



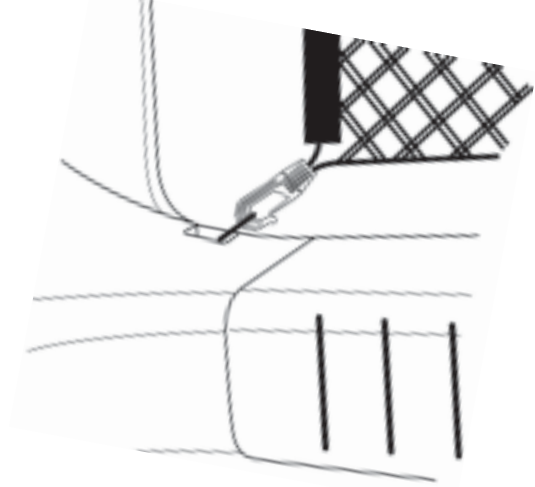
- Install D-Ring into drilled hole.

5



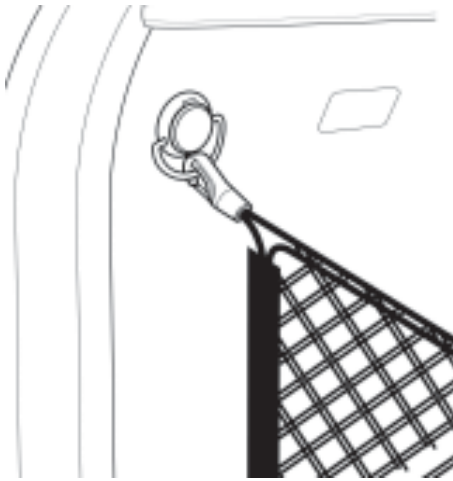
- After ensuring the D-ring is fully inserted, push in firmly on the center pin.
- You should feel the pin snap into the locking position. Repeat steps 4 & 5 on the passenger side.

6



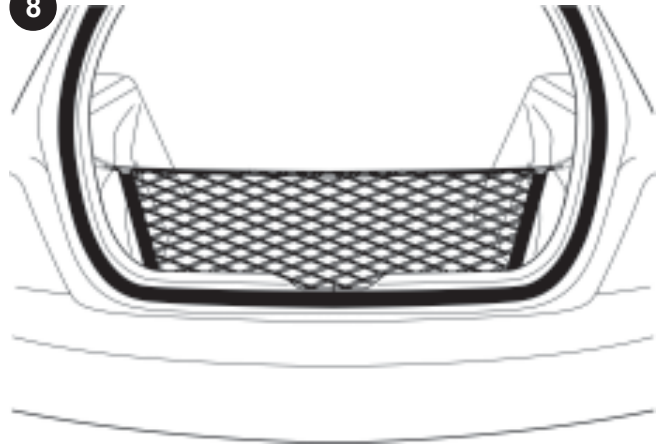
- Attach one of the bottom clips to the lower anchor. Repeat on the passenger side.

7

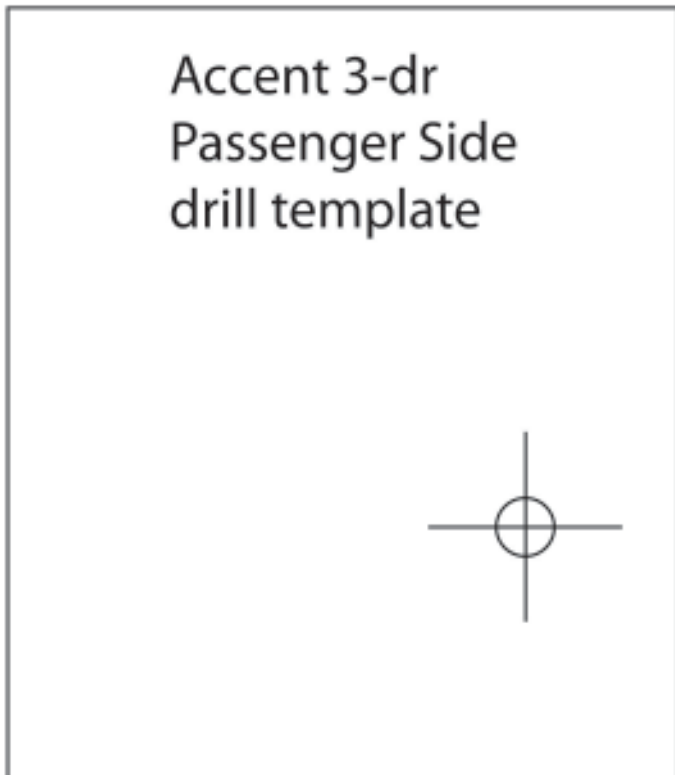
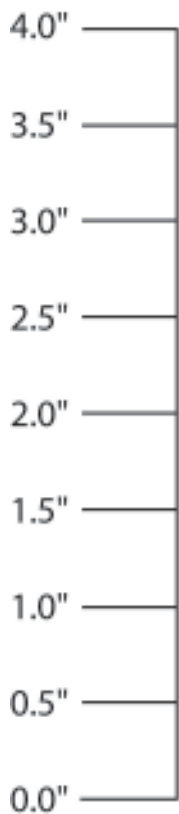
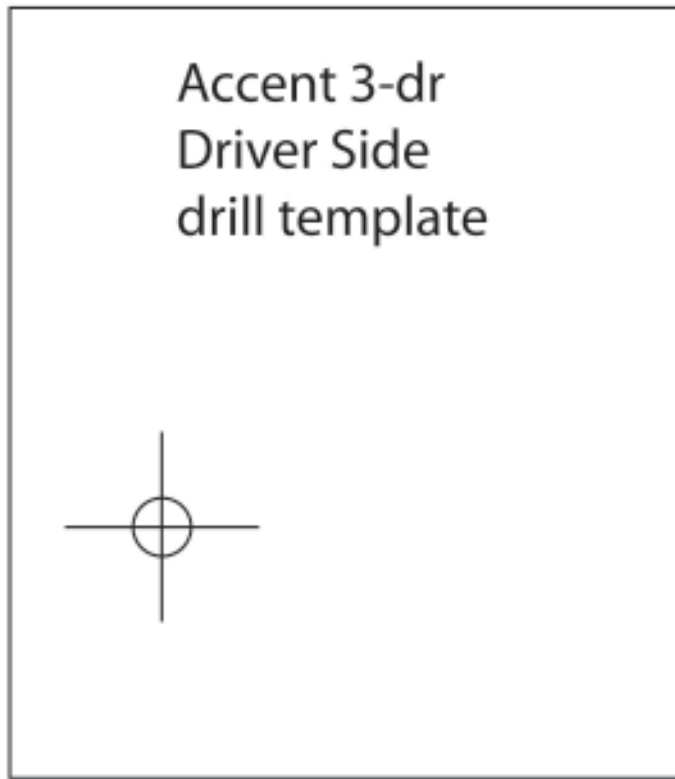


- Attach upper clip to the installed D-Ring. Repeat on the passenger side.

8



- Installation complete.



**NOTE:** Please use a scale to make sure templates are 1:1. If not, use a copy machine and adjust the size as needed.