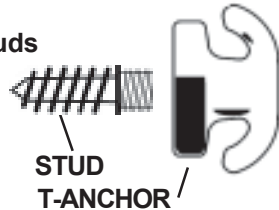


THIS PACKAGE CONTAINS:

- (1) Envelope Net
- (4) Plastic T-anchors with studs

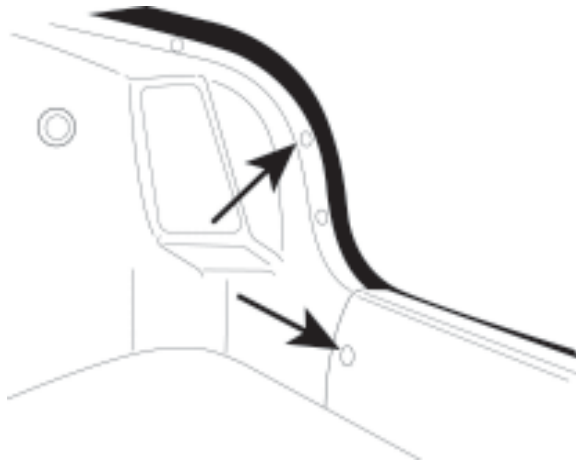


TOOLS REQUIRED:

- (1) Needle Nose Pliers

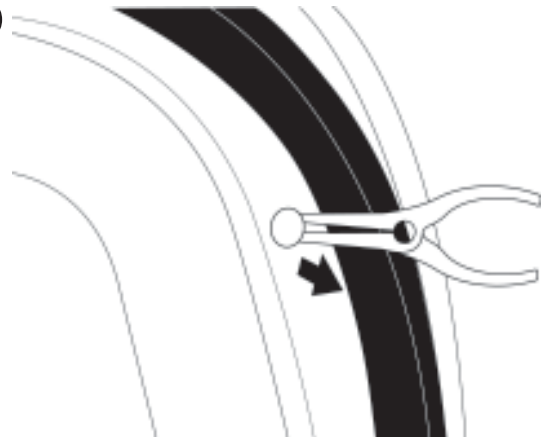
INSTALLATION INSTRUCTIONS:

1



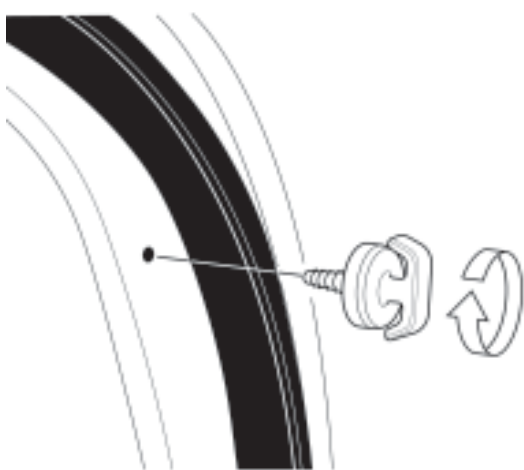
- Locate trim plugs to be removed on passenger and driver side.

2



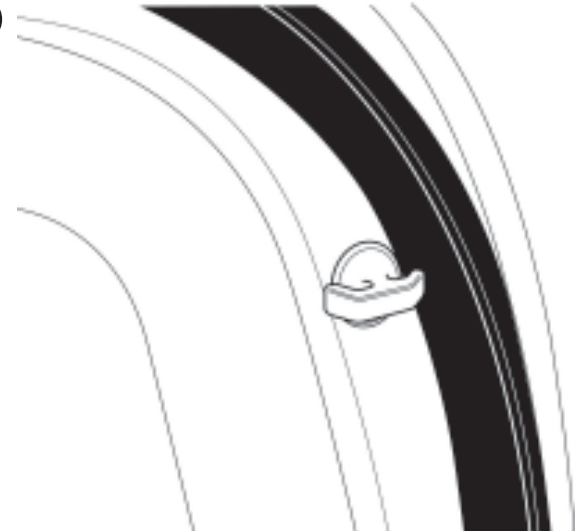
- Using needle nose pliers, remove upper trim plug from the driver's side.
- Repeat for passenger side.

3



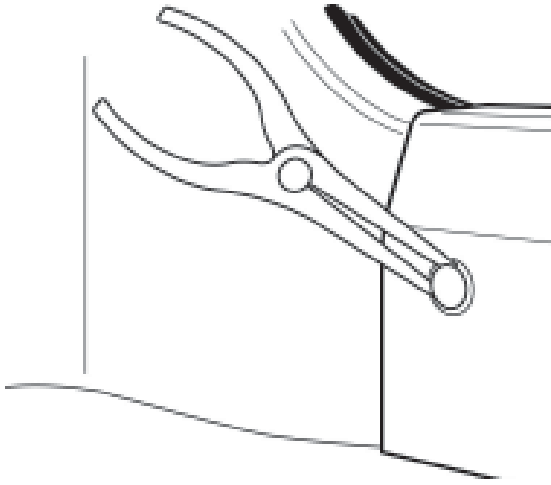
- Use pliers to start screwing in the T-anchor, then hand-tighten in place.

4



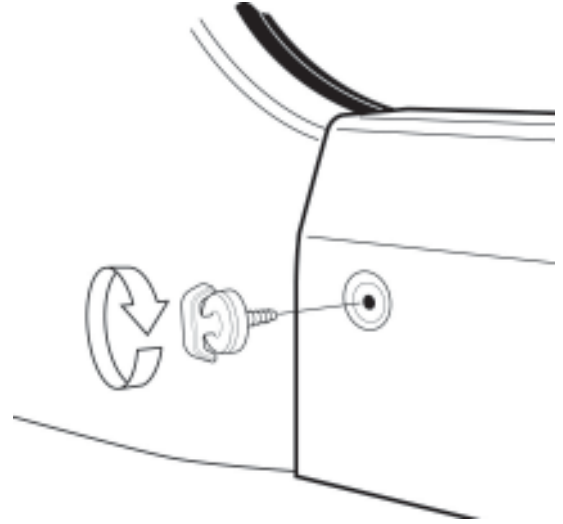
- T-anchor should be horizontal when installed.

5



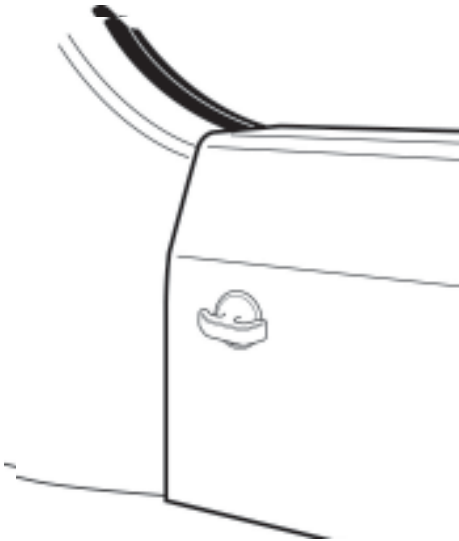
- Using needle nose pliers, remove lower trim plug from the driver's side.
- Repeat for passenger side.

6



- Use pliers to start screwing in the T-anchor, then hand-tighten in place.

7



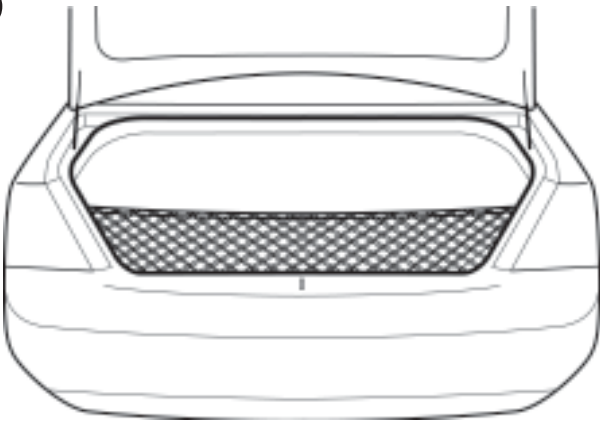
- T-anchor should be horizontal when installed.

8



- Loop net onto T-anchor as shown. Repeat for the other side of the vehicle.

9



- Installation complete.