

# HYUNDAI



INSTALLATION INSTRUCTIONS

FRONT END COVER

P/N U8250 1E000

**Genuine  
Accessories**

---

**PART LIST:**

- |                                       |                           |
|---------------------------------------|---------------------------|
| 1 FRONT END COVER, <i>HOOD COVER</i>  | 2 PRE PUNCHED SERIES, # 1 |
| 1 FRONT END COVER, <i>LOWER COVER</i> |                           |
| 1 INSTRUCTION SHEET                   |                           |

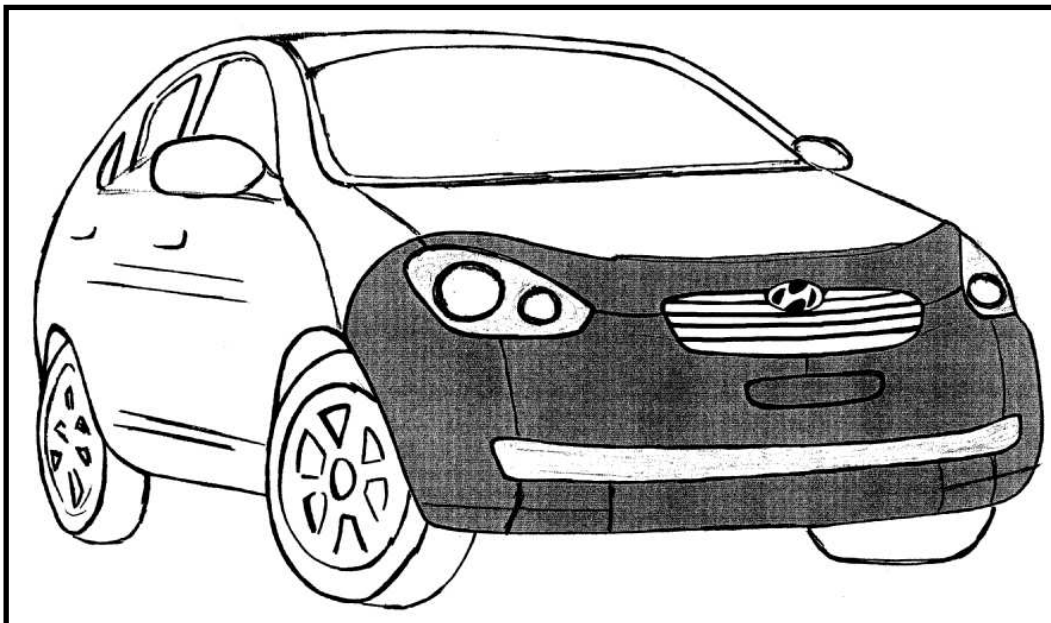
---

***Congratulations!*** Your new front end cover will help protect the finish of your Hyundai Accent...while also adding a sporty, custom look. Follow these instructions for easy installation and enduring satisfaction. Your Hyundai front end cover was created with a great deal of pride using the latest in computer aided design & manufacturing technology.

***Please do not install this cover before reading all the instructions.***

**Precautions:**

1. Keep the inside (side that touches the paint) of the front end cover as clean as possible at all times. Remove monthly or as necessary and clean away dust and debris.
2. Freshly repainted areas of your vehicle must be completely cured before the cover is installed. Check with your painter about adequate cure times.
3. When you first try to install the front end cover, it may appear to be undersized. This is due to the nature of the special vinyl material which will stretch during installation and ensure a tight fit. **For this reason, initial installation of the front end cover is best performed when the front end cover is warm.**

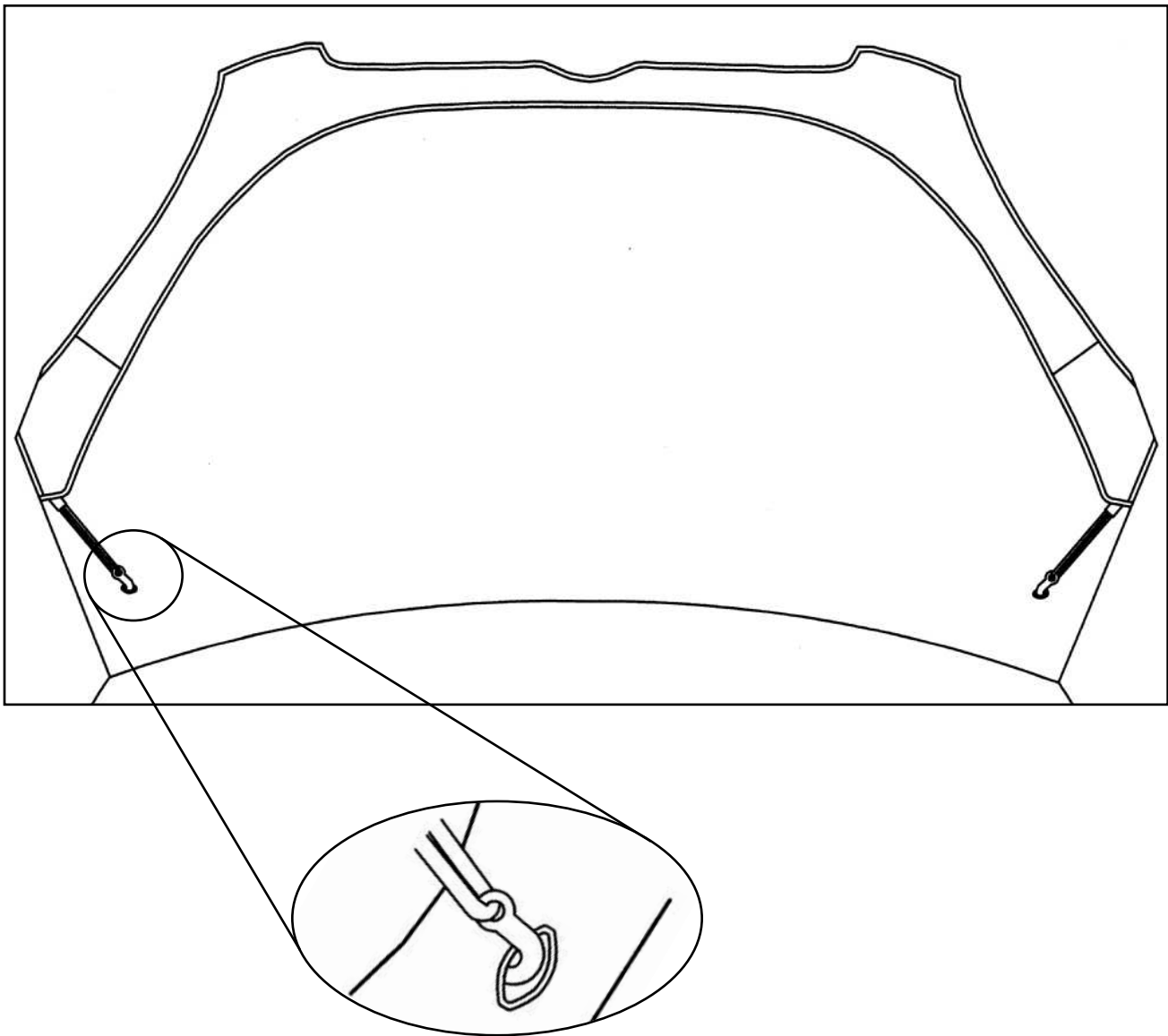


The lower portion of the cover has a license plate opening. If your state requires a front plate, simply snip the black threads on back of the license plate patch.

## HOOD COVER

---

- 1) Open the hood and slide the hood sleeve over the front of the hood.
- 2) Attach fastening points as illustrated.



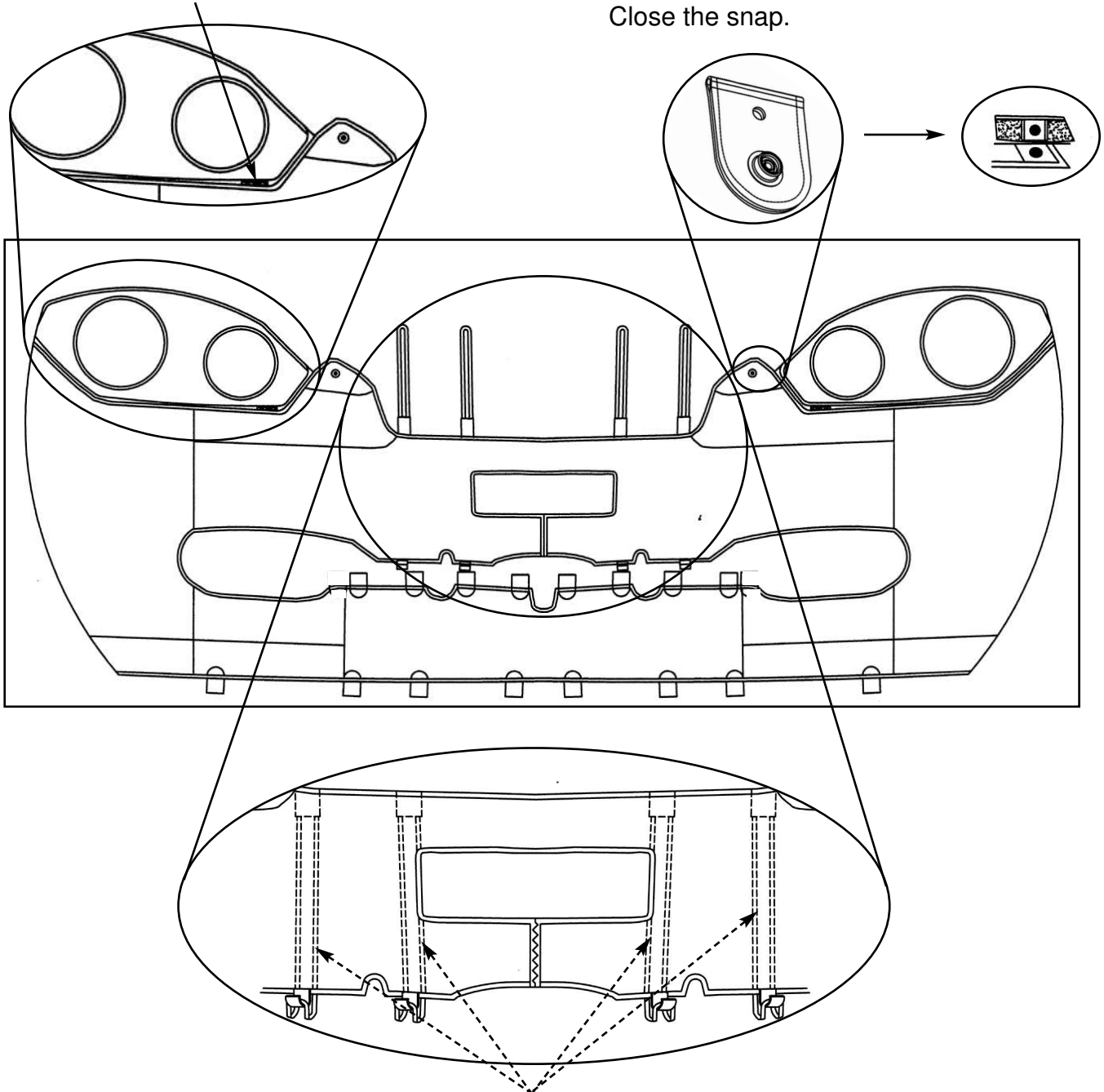
Attach the "S" hook to the opening.

## LOWER COVER

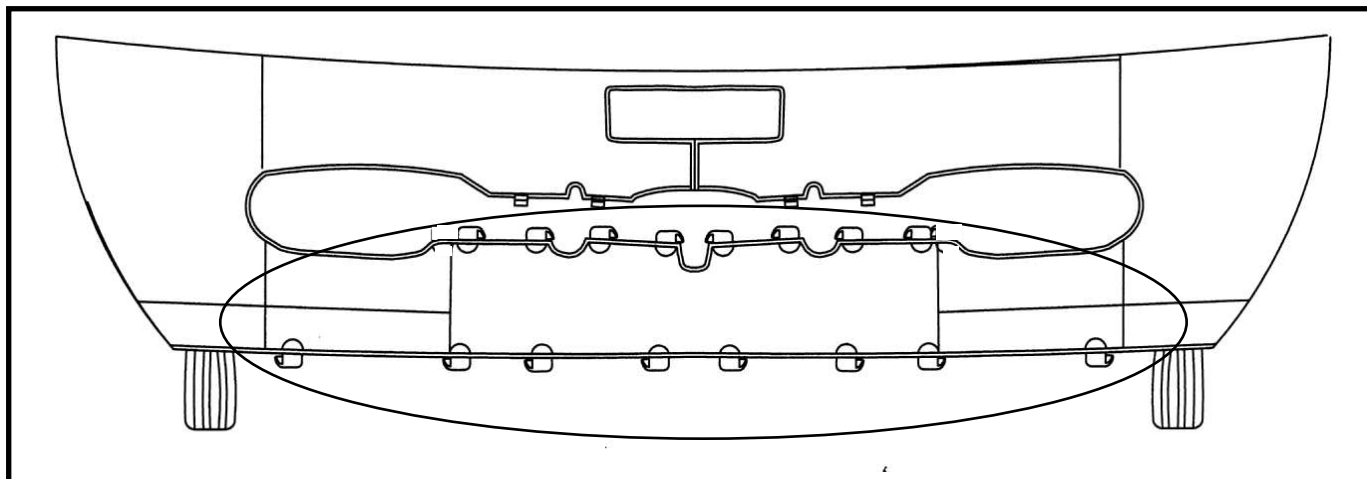
- 3) Place the lower portion of the front end cover over the fenders and grille of your vehicle. If used, slip the vehicle license plate bracket through this opening. Shape the front end cover around the bumper one side at a time.
- 4) Complete all remaining fastening points as shown in the illustrations.

Insert the tab into the gap between the fascia and seal around the headlamp.

Remove existing hardware and insert into the hole of the pre punched series # 1. Reinsert in the original position. Close the snap.



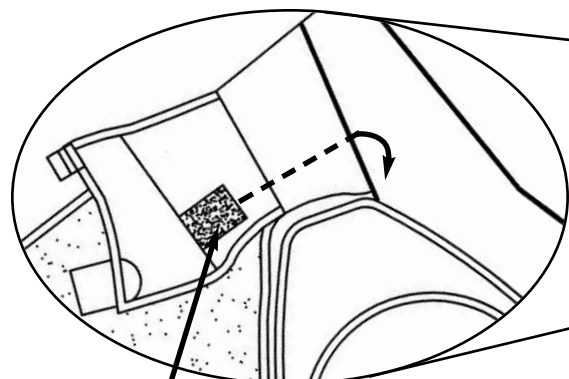
Wrap the elastic cord around the bottom of the front grille and attach to the plastic clips.



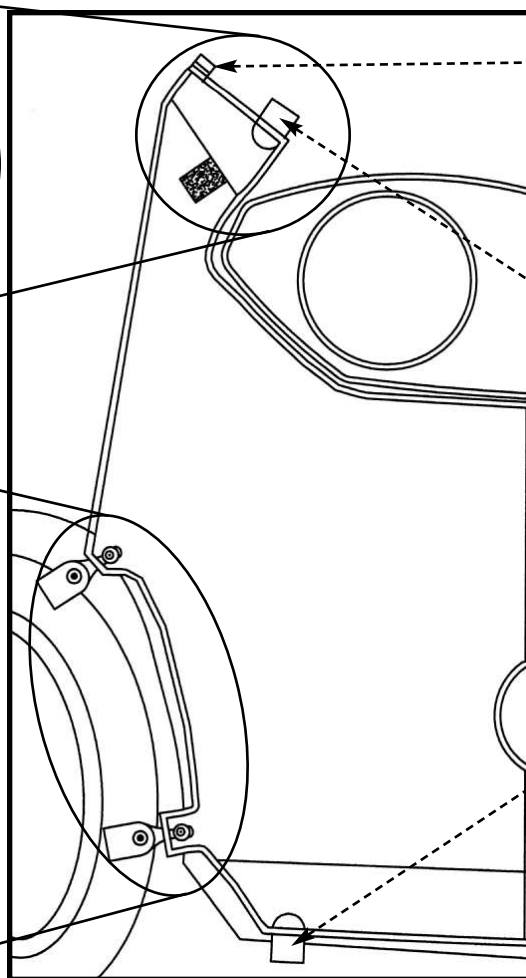
Pre-bend tabs and attach to the edge of the structure.

### WHEEL WELL

5) Attach all the remaining fastening points as shown in the illustrations.



Wrap black sewn tab around the head light and insert in opening. This will be a tight fit and smooth in appearance.



Attach the plastic clip to the edge of the structure.

Pre-bend tab and attach to the edge of the structure.

Pre-bend tab and attach to the edge of the structure.

Pre-bend tabs and attach to the edge of the structure. Then close the snap.

Rev 0  
Oct 14, 2005  
Made in Canada

### IMPORTANT NOTICE

Under normal conditions, it is not necessary to remove your front end cover. If excessive moisture accumulates under your front end cover and the vehicle is not in motion, and it is in strong direct sunlight, it is strongly recommended that you remove your front end cover and allow it to dry. Neither Hyundai nor the manufacturer shall assume responsibility for any damages resulting in the use or misuse of this product.